



Big John Mfg. Co. Inc.

www.bigjohnmfg.com

EQUIPMENT FOR THE 21st CENTURY

40 Years of Service Performance & Dependability -- That is the Big Difference!



3 PT. HD-55

3-pt. HD55 MIST BLOWER

- Tractor 24 – 300 hp, 540 rpm
- 1000 rpm available
- PTO shaft light weight user friendly
- PTO shaft support
- Electric on/off with 15 ft. cable fluid control
- Hydraulic volute rotation 210 degrees
- Hydraulic cylinder 2 x 8
- Volute control (optional electric or manual)
- Tank drain hose
- Frame designed to maneuver over obstacles
- Greater Operator safety
- Galvanized Frame (hot dipped)
- Texas Remcor Solenoid 12v electric on/off
- 55 gal. poly tank (3 yr. mfg. warranty)
- Standard 4-roller pump with super rollers
- Hitch pins I II III
- Rolled Frame for added strength and durability
- Glycerin filled liquid gauges (optional)
- Galvanized volute vs. poly - eliminates static distortion of water & chemical



TPSHD55

TPS MIST BLOWER

- Powered by 18 hp Kohler engine
- Electric on/off start
- Control box with 17 ft. cable
- On/Off liquid control
- Engine speed control
- 6.5 poly gas tank
- 55 gal. poly tank 3 yr. mfg. warranty
- Volute rotation 210 degrees left to right
- Galvanized frame (hot dipped)
- Punched frame (easy to mount to skid)
- 4 Roller pump with super roller
- PSI Liquid filled gauge
- Fans reinforced for high speed performance
- Cat. I II III pins
- Split shields (easy access)
- Tank drain hose
- Galvanized volute vs. poly - eliminates static distortion of water & chemical
- Tow package available
- Adjustable axles available
- 3-pt Hitch available



ATM - 24

ALL TERRAIN MIST BLOWER

For the first time ever, we have a mist sprayer that fits on all of your All Terrain Vehicles! Now you can spray in places that you have found hard to reach in the past. Our mist blowers allow you to spray with safety in mind and you may use less chemical. It is ideal for Greenhouse, Nursery-Container Stock, Right-Of-Way, Livestock Spraying, Pastures and Range Land, Orchards, Small Vineyards, Vegetables, and Premise Spraying.

Spray Mosquitos (West Nile-Like Virus), Flies, Grasshoppers & Ticks, Spray Noxious Weeds, Broad-leaf and Brush Too!

The self-contained, 2-cycle, 52.6 cc, 3.5 HP engine driven mist blower unit has either a 24 or 55 gallon poly tank. A flexible cannon type volute with handheld or pedestal mounted handgun throttle control on the left side is provided for operator ease of use and safety. A 4-position liquid valve for complete control of liquid volume.

Big John's powerful mist blowers allow you to safely spray fungicide, insecticide, and herbicide. Maximum spraying range - 38 feet horizontal, 31 feet vertical.

Our All Terrain Mist Blowers will provide you with greater flexibility and more uniform coverage at a much lower cost than you would incur with traditional application methods.



Big John Mfg. Co. Inc.

www.bigjohnmfg.com

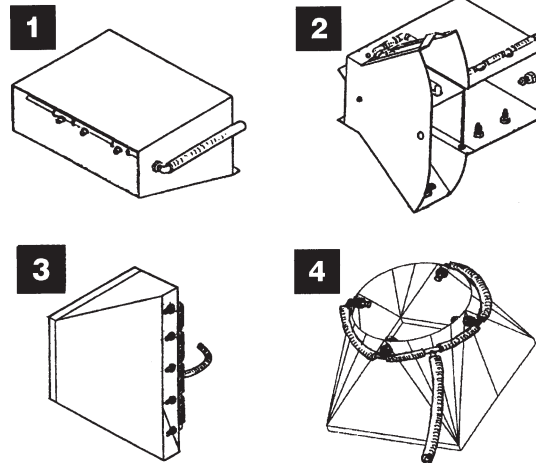
(402) 748-3860 OR 800-658-4471

BOX 456

OSMOND, NEBRASKA 68765



Little John LJ-8H-20



ATM - 55

THE SELF-CONTAINED UTILITY MIST SPRAYER IS EQUIPPED WITH THE FOLLOWING:

- Heavy duty galvanized frame
- Husky 8 hp Intec gas engine
- Precession balanced galvanized wheel
- Galvanized housing
- One or two nozzle rectangle. Galvanized volute
- Electrical volute roll over, 210*
- Remote electrical on/off spray controls
- 4-roller pump 9 gpm @ 150 psi
- Gel filled pressure gauge
- Split shield (easier access)
- Low profile 20 gallon poly tank
- Tank drain hose
- Empty weight - 240 lbs.

OPTIONS:

3-Nozzle Horizontal Volute

Vegetable Volute

5-Nozzle Vertical Volute
(Orchards & Vineyards)

Cannon Volute

110 Gal. Tank & Saddle

Handgun Kit

Electric Actuator

3-Nozzle Vertical Volute
(Orchards & Vineyards (LJ-8H))

Bunk Cleaner Attachment

Centrifugal Pump, 60 gpm

12-Volt Pump

Wheet Kit w/tung

MIST SPRAYERS ARE USED IN THE FOLLOWING APPLICATIONS:

Pastures & Ranges	Fencerows	Weeds
Livestock	Dairy (Fly)	Road Ditches
Greenhouses & Nursery Container Stock		Wet Areas
Trees and under Trees	Feed Lots	Grasshoppers
Creek banks & creek beds		Rocky, hard to reach areas
Levees and Lagoons	Bunk Cleaning	Salvage & junk yards
	Where airplanes, helicopters, boom sprayers & conventional sprayers can't reach	
Greenbugs	Boll Weevil, Aphids Gnagt & Biting insects	
Ticks (Lyme Disease)	Army worms	Bean Leaf Beetles
Mosquitoes (West Nile)	Pecan Trees	Vineyards
Livestock insect control: beef, dairy, cow/calf, swine, poultry, bison, horses		
Fertilizing & Follar Feeding	Chemical Application	Tree Farms
Windbreaks/Shelterbelts	Modified Open Fronts	Christmas Trees
Orchards: apple, peaches, pear		Vegetables, Berries, Melons
Public areas (cities, campgrounds, parks, golf courses (bug control)		
Noxious Weeks, Broadleaf barrier Treatments	Leaf/Debris/Snow Blower	

THE CLOSER YOU LOOK . . . THE BETTER WE LOOK!